

CABLE PULL ADAPTER SG



Main Features

- Compact and heavy-duty industrial model
- Linear movement measuring
- High linearity
- For use with absolute rotary
- Simple mounting of cable end

Application

- Sensing of
- Distances
- Inclinations
- Stamping and pressing machines
- Tracks
- Differences between two tables on
- Common track

Mechanical Structure

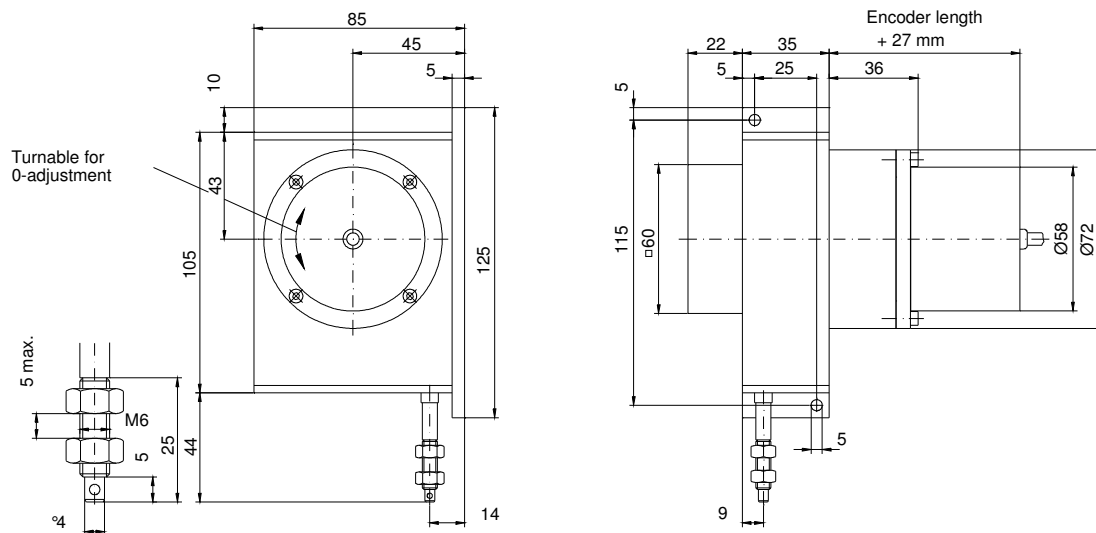
- Housing material Aluminum
- Compact non-rusting steel cable
- Insensitive to dirt environment
- Plastic laminated steel cable for heavy polluted environments
- Cable-drum with doubled bearing

Mechanical Data

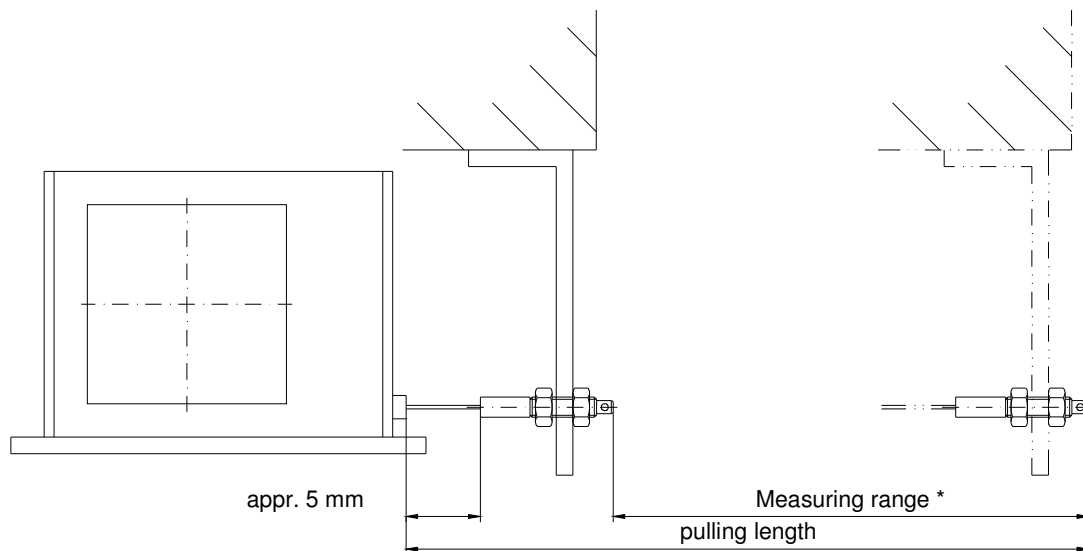
- Measuring resolution: 0.05 % of scale range
- Linear velocity: 3000 mm/s
- Drum perimeter: 200 mm
- Spring return-power: 4...10 N
- Weight: ≈ 550 g

**CABLE PULL ADAPTER
SG**

Mechanical Drawings



Mounting



**CABLE PULL ADAPTER
SG**

Models and Ordering Description

Description	Type Key		
Cable pull adapter	SG - --	
Measuring length	3000 mm	3000	
	5000 mm	5000	
Type of cable	Plastic laminated steel cable (only 3000 mm) 4 round cable carry-outs		K
	Steel cable, stainless (only for 5000 mm) Terminal clamp inside		S
Mounting	Absolute encoder		AWC58XX-XXXX-Y... OCD-XXX...-S06...
	Incremental encoder		G58LS... RVI58N-032 ...

Further models on request.

We do not assume responsibility for technical inaccuracies or omissions. Specifications are subject to change without notice.