

Incremental Encoders - Tacho encoders - optotacho encoders

Mounting accessories



Anti-rotation devices • DAC • MEFLEX

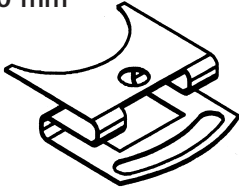
Anti-rotation devices for all type of hollow-shaft encoders

Anti-rotation devices "DAC"

DAC could be fixed on 2 or 4 points on the encoder. The allowed misalignments are as follows: axial ± 2 mm, angular $\pm 3^\circ$, radial for the DACs fixed on 2 point ± 0.2 mm and radial for the DACs fixed on 4 point ± 0.05 mm..

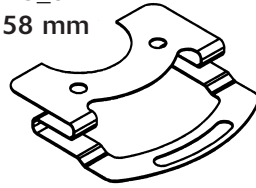
ref. 9445/006

$\varnothing 40$ mm



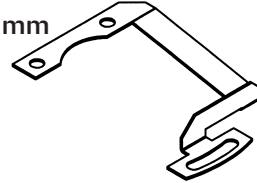
ref. 9445/010

IHT5_0
 $\varnothing 58$ mm



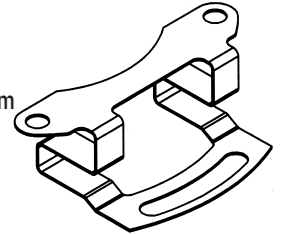
ref. 9445/002

$\varnothing 58$ mm



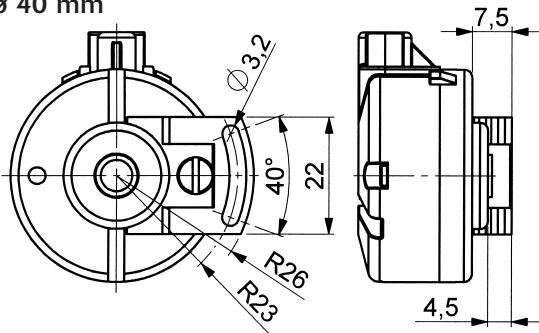
ref. 9445/009

$\varnothing 90$ mm



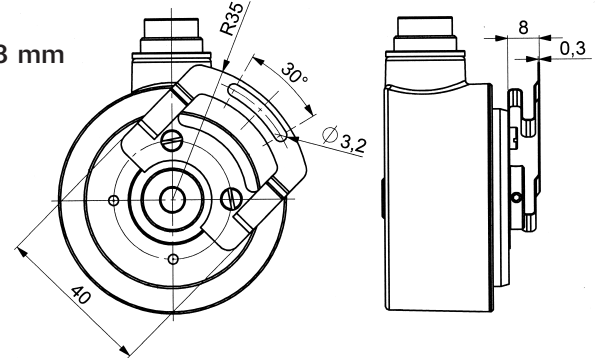
ref. 9445/006

$\varnothing 40$ mm



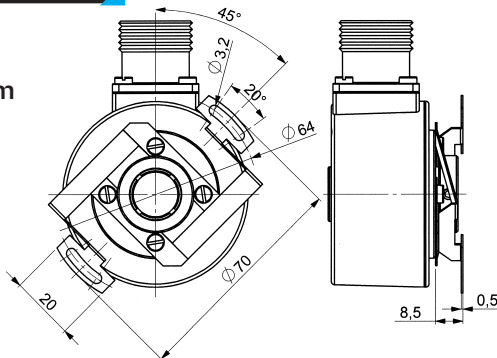
ref. 9445/010

$\varnothing 58$ mm



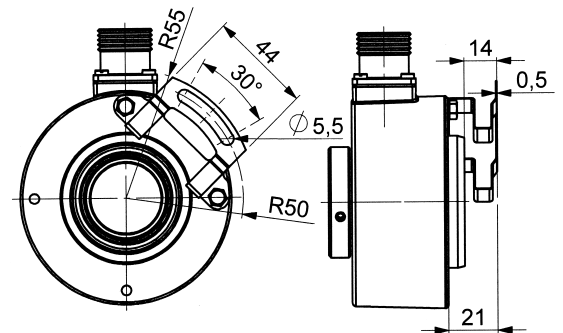
ref. 9445/002

$\varnothing 58$ mm



ref. 9445/009

$\varnothing 90$ mm



Anti-rotation device "MEFLEX"

The "Meflex" can bear an axial offset (± 3 mm), radial ($\pm 0,3$ mm) and angular (± 5 mm).

Incremental encoders and tacho encoders - $\varnothing 90$ mm

ref. 9445/004

$\varnothing 90$ mm

