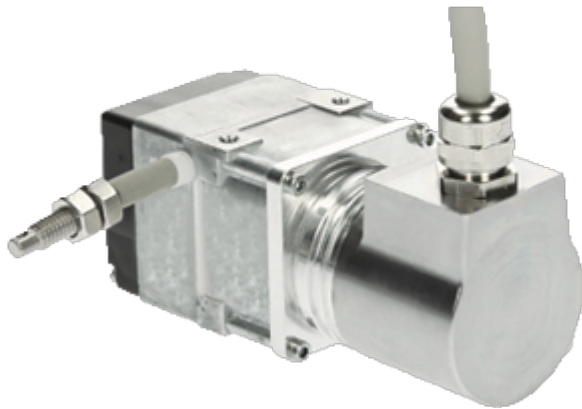


LINARIX Linear Sensor

POSITAL
FRABA



General Data

Supply Voltage	12 - 30 VDC (On power supplies comply with EN 50178)
Turn On Time	< 250 ms
Operating Temperature	-30 °C fixed (-22 °F), -5 °C flexible (+23 °F) - +70 °C (+158 °F)
Weight	340 g (0.75 lb)
Protection Class (Encoder)	≥ IP64 / IP65
EMC: Emitted Interference	DIN EN 61000-6-4
EMC: Noise Immunity	DIN EN 61000-6-2

Mechanical Data

Max. Measurement Length	2.0 m
Wire Drum Circumference	100 mm
Wire Material	Plastic Coated Stainless Steel
Wire Diameter	0.45 mm
Encoder Housing Material	Steel
Draw Wire Housing Material	Zinc Die-cast
Max. Speed of Wire Displacement	1.0 m / s
Max. Wire Acceleration	4.4 g
Max. Extension Force	2.0 N
Min. Retraction Force	1.2 N
Actuation Lifetime	1.0 mio Cycles
Wire Mounting	M Thread

上海开地电子有限公司 — 德国FRABA/POSITAL (中国) 总代理

德国 FRABA 集团 版权所有

电话: 021-5268 2679 / 5268 8060 / 5268 8820 / 5268 8821

传真: 021-5268 2869

网址: www.kindele.com

Sensor Data

Technology	Magnetic ($\leq 0.36^\circ$)
Accuracy	± 0.018 % FSO
Repeatability	± 0.008 % FSO
Resolution [Encoder - Singleturn]	12 bit
Resolution [Encoder - Multiturn]	4 bit
Approx. Linear Resolution	24.4 μm
Output Code	Analog Voltage 0.5 - 4.5 V

Interface Data

Communication Interface	Analog Voltage
Manual Functions	Start and End point via Cable or Connector

Electrical Data

Current Consumption	Typical 15 mA
Min. Load Resistance	10 K Ω (Min. value for supply voltage 12 V. For higher supply voltage lower load resistances can be used)
Analog Accuracy	@ 5V = ± 15 mV; @10 V = ± 25 mV
Settling Time	80 ms
Reverse Polarity Protection	Yes
Short Circuit Protection	Yes
MTTF	283.3 years @ 40 °C

Electrical Connection

Connection Orientation	Radial
Connection Orientation (w.r.t Draw Wire)	Radial 6
Cable Length	10 m [394"]
Wire Cross Section	0.14 mm ² / AWG 26
Material / Type	PVC
Cable Diameter	6 mm (0.24 in)
Minimum Bend Radius	30 mm (1.18 in) fixed, 60 mm (2.36 in) flexing

Connection Plan

SIGNAL	CABLE COLOR
Power Supply	Red
GND	Yellow
Voltage Output	Green
Set1	Brown
Set2	White
Not Connected	Blue
Not Connected	Gray

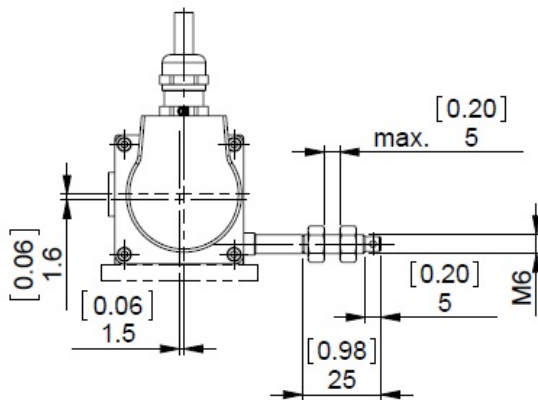
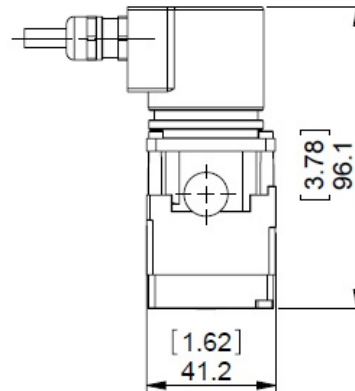
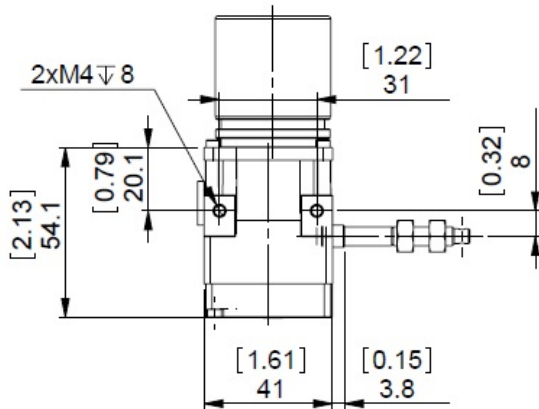
Not Connected

Pink

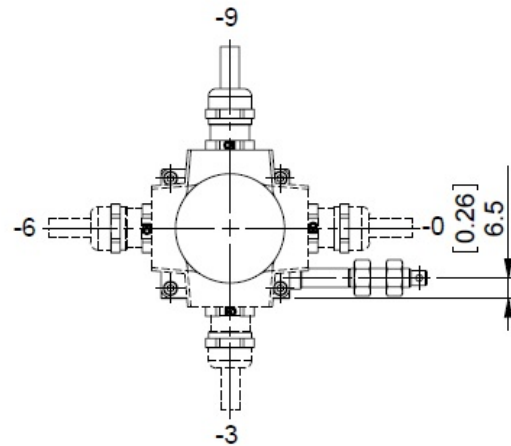
Shielding

Shield

Connector-View on Encoder
Dimensional Drawing



ASSEMBLING AID



CONNECTION ORIENTATION